

UM1010

Classic Half Bowl Undermount



Features

Lifetime Warranty

CE Approved

204mm x 340mm overall size, 100mm deep main bowl

Internal 164mm x 300mm bowl

ss304 (0.8mm) steel, powder coated underside

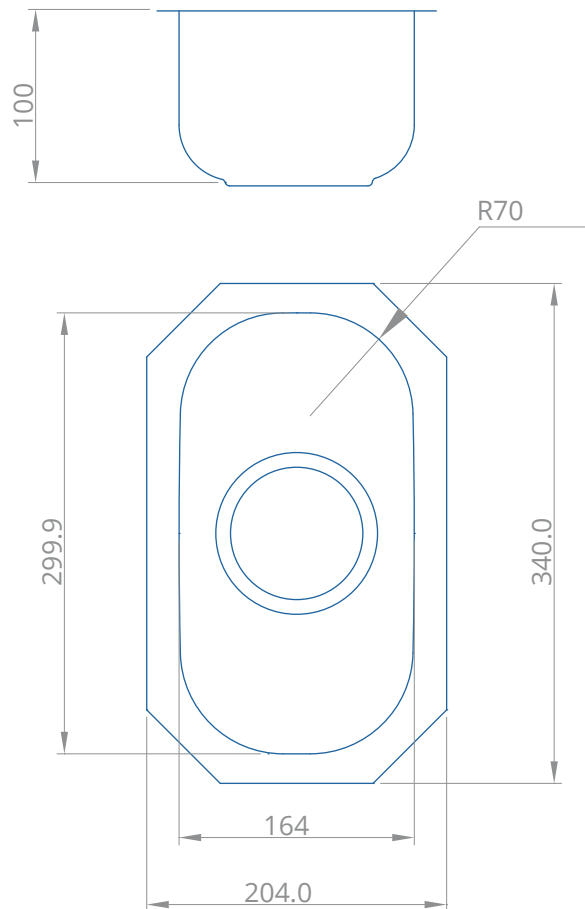
Supplied complete with waste

Minimum cabinet width required 200mm

Waste disposal compatible

Waste Kit Code:

UKH039



Overflow specifications

