

## SR1512

Quadrus (LH Main Bowl) 1.5 Bowl Undermount or Inset



### Features

Lifetime Warranty

CE Approved

740mm x 430mm overall size, 200mm deep main bowl

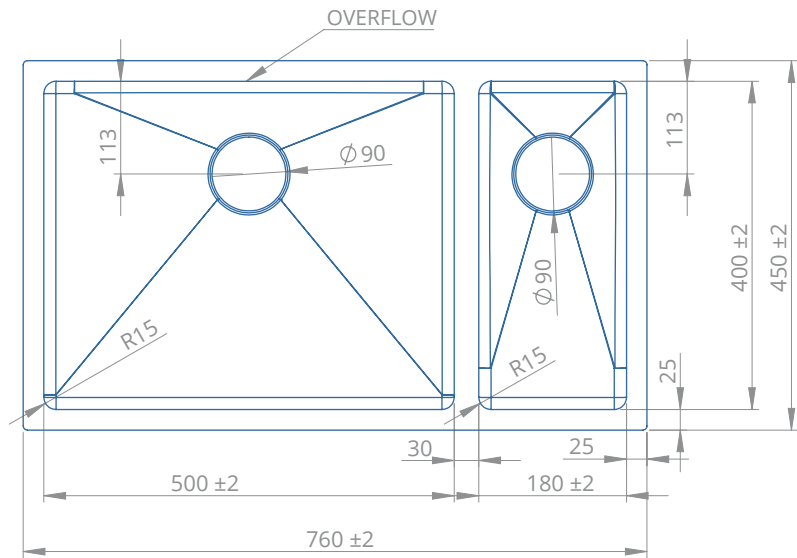
Internal 500mm x 400mm (main bowl)  
180mm x 400mm (small bowl)

ss304 (1.0mm) steel, powder coated underside

Supplied complete with wastes and hygienic overflow

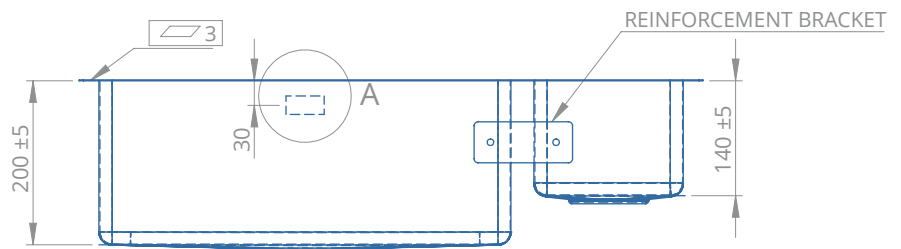
Minimum cabinet width required 800mm

Waste disposal compatible



### Waste Kit Code:

UKH040



### Overflow specifications

