

SQI05

Qube (LH Main Bowl)
1.5 Bowl Undermount
Or Inset



Features

Lifetime Warranty

CE Approved

890mm x 430mm overall size, 200mm deep main bowl

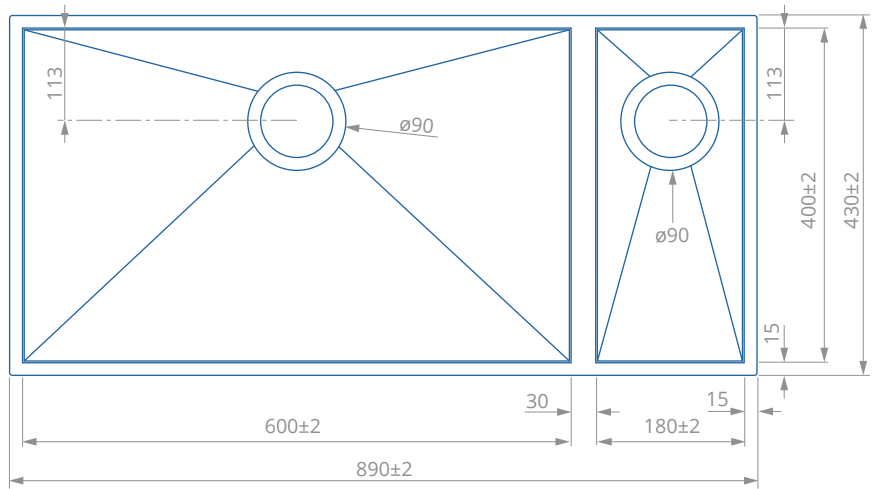
Internal 650mm x 400mm (main bowl)
180mm x 400mm (small bowl)

ss304 (1.0mm) steel, powder coated underside

Supplied complete with wastes and hygienic overflow

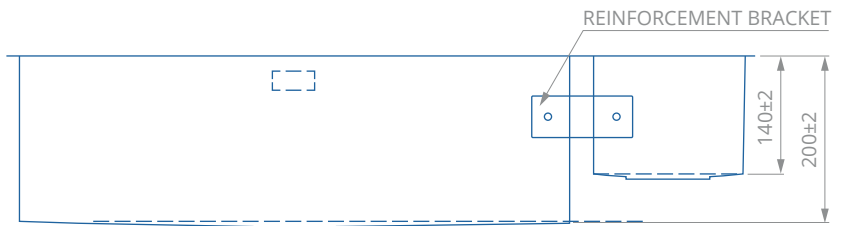
Minimum cabinet width required 900mm

Waste disposal compatible



Waste Kit Code:

UKH040



Overflow specifications

