

EM03 LH

Deep Bowl
Rhombus Compact
Single Bowl
& Drainer



Features

Lifetime Warranty

CE Approved

800mm x 500mm overall size, with 202mm "DEEP" main bowl

LH or RH drainer available, ss304 (0.8mm) steel

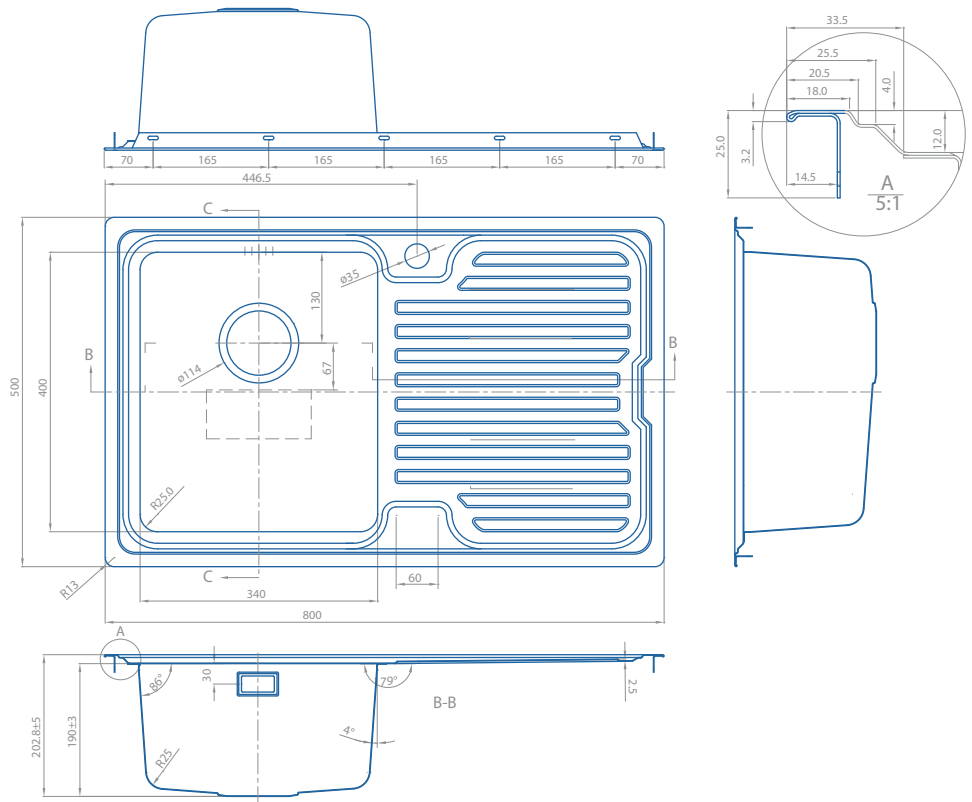
Supplied complete with waste, hygienic overflow and fitting clips

Minimum cabinet width required 450mm

Waste disposal compatible

Waste Kit Code:

UKH039



Overflow specifications

